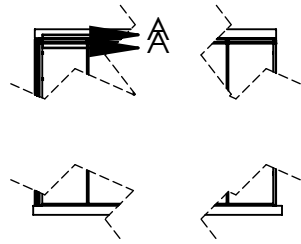


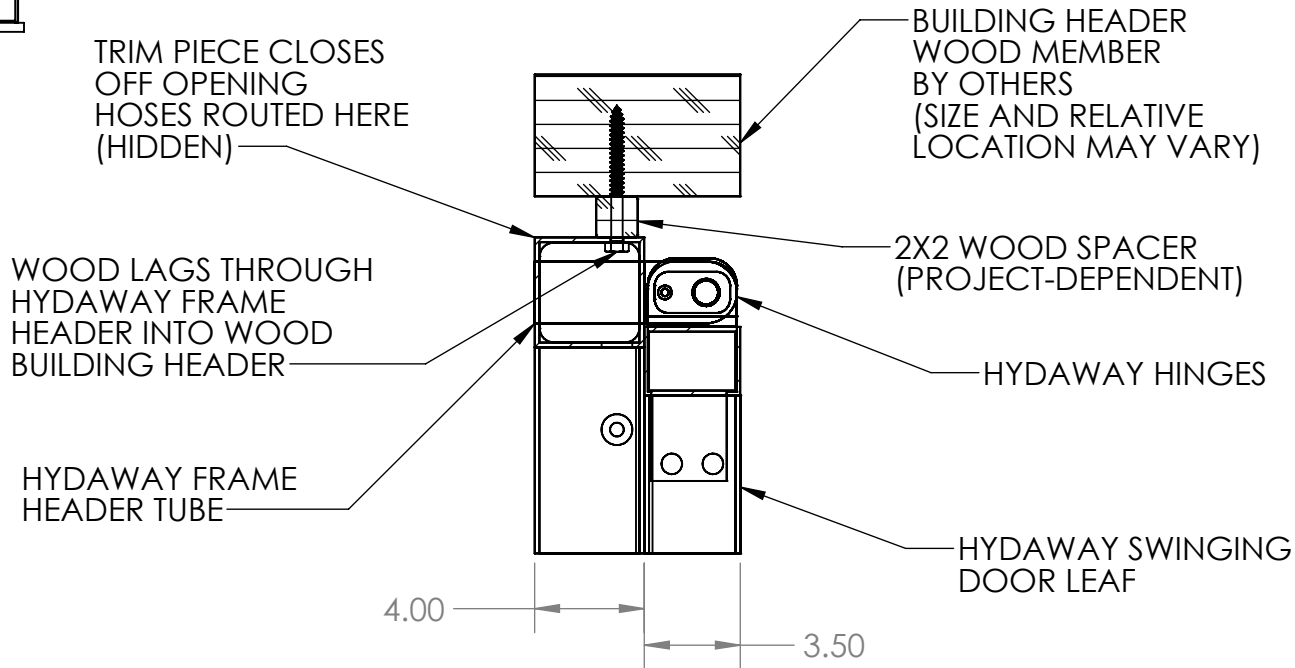
Wednesday, November 30, 2022 9:02:39 AM

HYDAWAY SMALL FRAME HEAD DETAIL (SOLID WOOD BUILDING HEAD MEMBER)



B

B



SECTION A-A
SCALE 1 : 7

PROPRIETARY AND CONFIDENTIAL

THE INFORMATION CONTAINED IN THIS DRAWING IS THE SOLE PROPERTY OF HYDAWAY HYDRAULIC WALLS. ANY REPRODUCTION IN PART OR AS A WHOLE WITHOUT THE WRITTEN PERMISSION OF HYDAWAY HYDRAULIC WALLS IS PROHIBITED.



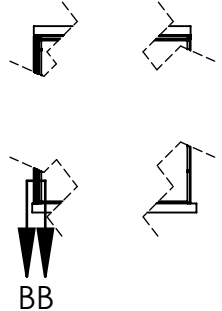
		UNLESS OTHERWISE SPECIFIED:		NAME	DATE
		DIMENSIONS ARE IN INCHES			
		TOLERANCES:			
		FRACTIONAL ±			
		ANGULAR: MACH ± BEND ±			
		TWO PLACE DECIMAL ±			
		THREE PLACE DECIMAL ±			
		INTERPRET GEOMETRIC TOLERANCING PER: ASME Y14. 5-2009			
		MATERIAL			
		FINISH			
NEXT ASSY	USED ON				
APPLICATION		DO NOT SCALE DRAWING			

Part Number		N/A	
TITLE:			
Wood Jamb with Solid Wood Header			
SIZE	Door Type(s)	REV	
A	Small Frame HydAway Wall	A	
SCALE: 1:25&WEIGHT:		SHEET 1 OF 3	

A

A

HYDAWAY SMALL FRAME JAMB DETAIL (WOOD BUILDING JAMB MEMBER)



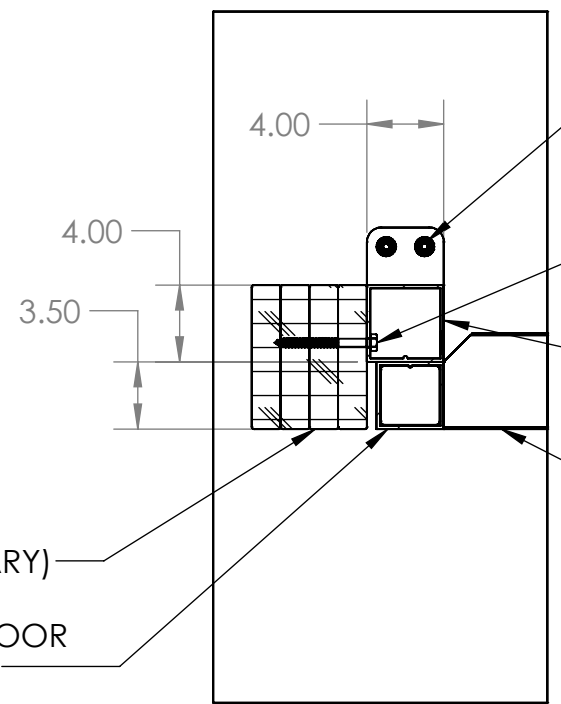
B

B

BB

BUILDING JAMB
WOOD MEMBER(S)
BY OTHERS
(SIZE AND RELATIVE
LOCATION MAY VARY)

HYDAWAY DOOR
LEG MEMBER



CONCRETE ANCHORS
SIZED PER DOOR
TYP 1/2" DIAMETER X 3" MINIMUM

WOOD LAGS THROUGH
HYDAWAY FRAME POST
INTO WOOD BUILDING
JAMB

HYDAWAY FRAME
POST MEMBER

HYDAWAY BOTTOM
DOOR LEAF TUBE
SIZE MAY VARY

SECTION B-B
SCALE 1 : 10

PROPRIETARY AND CONFIDENTIAL

THE INFORMATION CONTAINED IN THIS DRAWING IS THE SOLE PROPERTY OF HYDAWAY HYDRAULIC WALLS. ANY REPRODUCTION IN PART OR AS A WHOLE WITHOUT THE WRITTEN PERMISSION OF HYDAWAY HYDRAULIC WALLS IS PROHIBITED.



		UNLESS OTHERWISE SPECIFIED:		NAME	DATE
		DIMENSIONS ARE IN INCHES	DRAWN		
		TOLERANCES:	CHECKED		
		FRACTIONAL ±	ENG APPR.		
		ANGULAR: MACH ± BEND ±	MFG APPR.		
		TWO PLACE DECIMAL ±	Q.A.		
		THREE PLACE DECIMAL ±	COMMENTS:		
		INTERPRET GEOMETRIC TOLERANCING PER: ASME Y14. 5-2009			
		MATERIAL			
		FINISH			
NEXT ASSY	USED ON				
APPLICATION		DO NOT SCALE DRAWING			

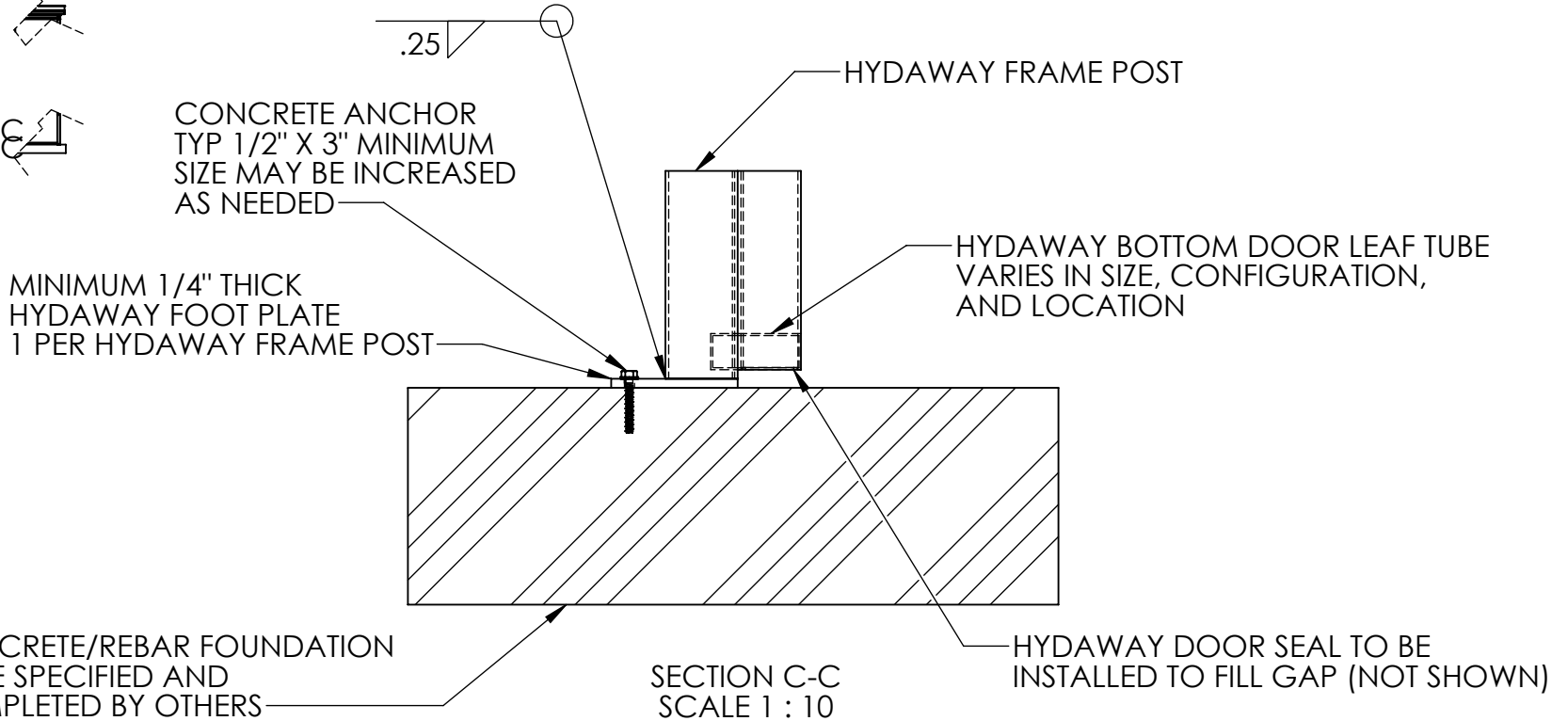
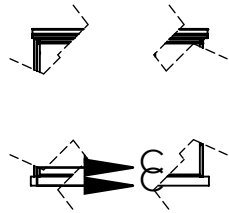
Part Number	N/A	
TITLE:	Wood Jamb with Solid Wood Header	
SIZE	Door Type(s)	REV
A	Small Frame HydAway Wall	A
SCALE: 1:25	WEIGHT:	SHEET 2 OF 3

A

A

Wednesday, November 30, 2022 9:02:39 AM

HYDAWAY SMALL FRAME SILL DETAIL



B

B

A

A

PROPRIETARY AND CONFIDENTIAL

THE INFORMATION CONTAINED IN THIS DRAWING IS THE SOLE PROPERTY OF HYDAWAY HYDRAULIC WALLS. ANY REPRODUCTION IN PART OR AS A WHOLE WITHOUT THE WRITTEN PERMISSION OF HYDAWAY HYDRAULIC WALLS IS PROHIBITED.



		UNLESS OTHERWISE SPECIFIED:		NAME	DATE
		DIMENSIONS ARE IN INCHES	DRAWN		
		TOLERANCES:	CHECKED		
		FRACTIONAL ±	ENG APPR.		
		ANGULAR: MACH ± BEND ±	MFG APPR.		
		TWO PLACE DECIMAL ±	Q.A.		
		THREE PLACE DECIMAL ±	COMMENTS:		
		INTERPRET GEOMETRIC TOLERANCING PER: ASME Y14. 5-2009			
		MATERIAL			
		FINISH			
NEXT ASSY	USED ON				
APPLICATION		DO NOT SCALE DRAWING			

Part Number	N/A	
TITLE:	Wood Jamb with Solid Wood Header	
SIZE	Door Type(s)	REV
A	Small Frame HydAway Wall	A
SCALE: 1:25	WEIGHT:	SHEET 3 OF 3