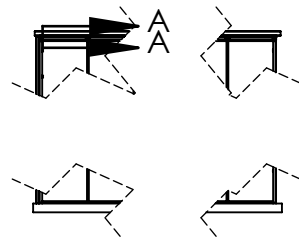


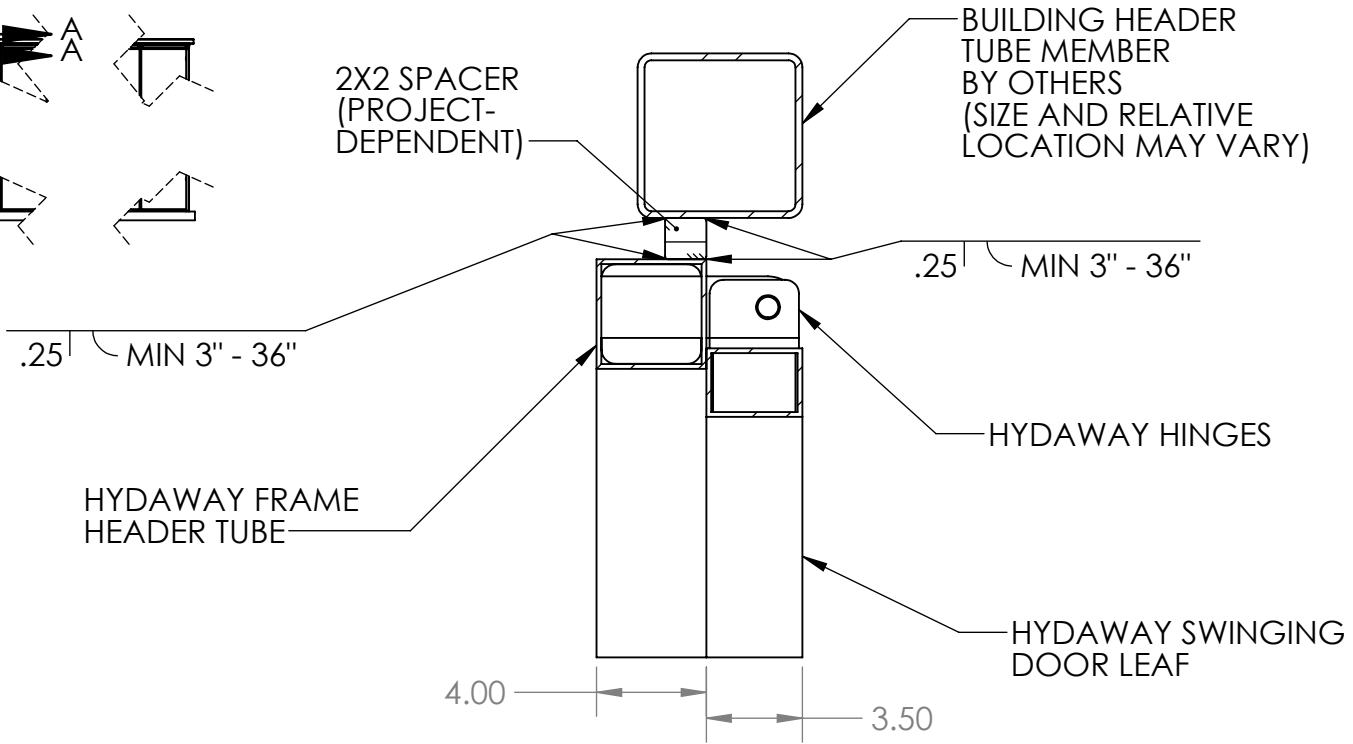
Monday, July 25, 2022 1:08:14 PM

# HYDAWAY SMALL FRAME HEAD DETAIL (TUBE BUILDING HEAD MEMBER)



B

B



SECTION A-A  
SCALE 1 : 7

**PROPRIETARY AND CONFIDENTIAL**

THE INFORMATION CONTAINED IN THIS DRAWING IS THE SOLE PROPERTY OF HYDAWAY HYDRAULIC WALLS. ANY REPRODUCTION IN PART OR AS A WHOLE WITHOUT THE WRITTEN PERMISSION OF HYDAWAY HYDRAULIC WALLS IS PROHIBITED.



		UNLESS OTHERWISE SPECIFIED:	NAME	DATE
		DIMENSIONS ARE IN INCHES	DRAWN	
		TOLERANCES:	CHECKED	
		FRACTIONAL ±	ENG APPR.	
		ANGULAR: MACH ± BEND ±	MFG APPR.	
		TWO PLACE DECIMAL ±	Q.A.	
		THREE PLACE DECIMAL ±	COMMENTS:	
		INTERPRET GEOMETRIC TOLERANCING PER: ASME Y14. 5-2009		
		MATERIAL		
		FINISH		
NEXT ASSY	USED ON			
APPLICATION		DO NOT SCALE DRAWING		

Part Number	N/A	
TITLE:	Tube Jamb and Header	
SIZE	Door Type(s)	REV
<b>A</b>	Small Frame HydAway Wall	<b>A</b>
SCALE: 1:25	WEIGHT:	SHEET 1 OF 3

A

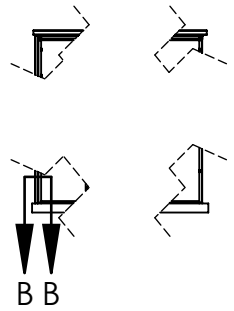
A

Monday, July 25, 2022 1:08:14 PM

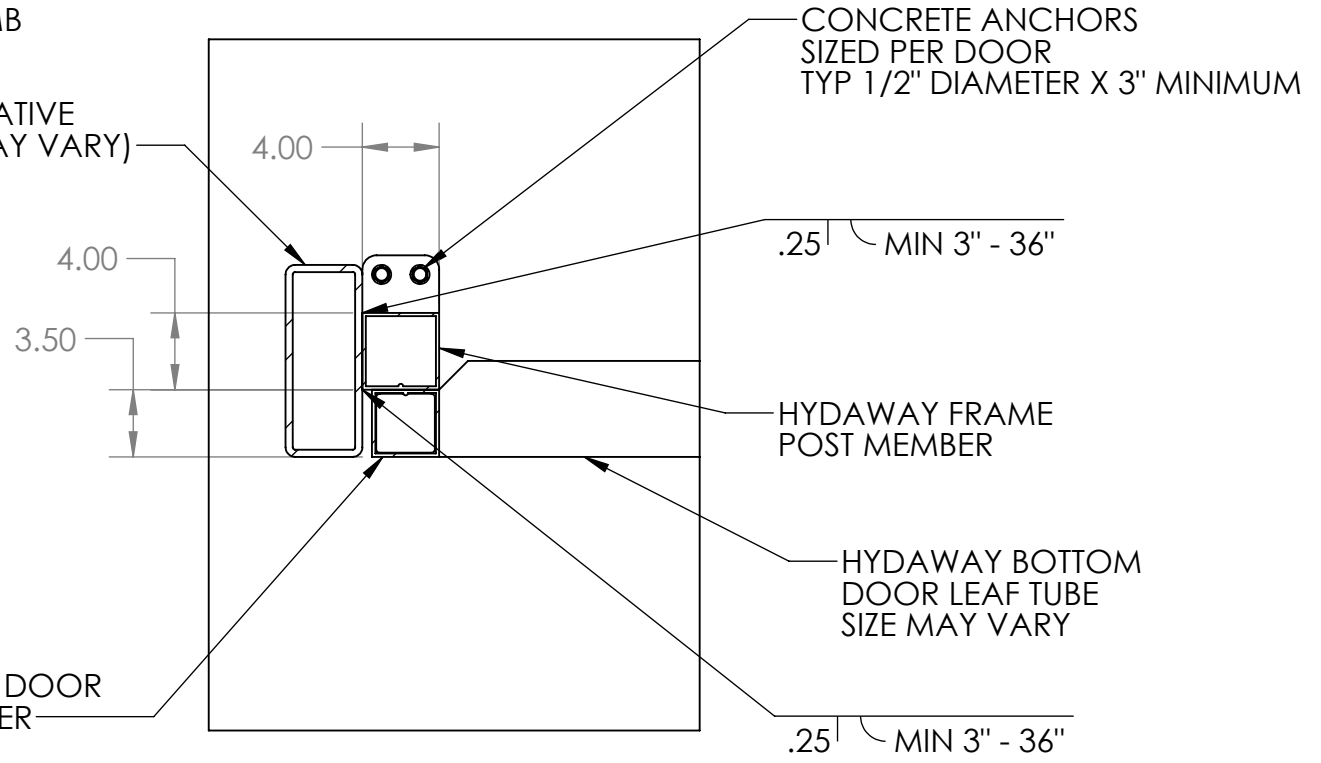
# HYDAWAY SMALL FRAME JAMB DETAIL (TUBE BUILDING JAMB MEMBER)

B

B



BUILDING JAMB  
TUBE MEMBER  
BY OTHERS  
(SIZE AND RELATIVE  
LOCATION MAY VARY)



HYDAWAY DOOR  
LEG MEMBER

CONCRETE ANCHORS  
SIZED PER DOOR  
TYP 1/2" DIAMETER X 3" MINIMUM

.25" MIN 3" - 36"

HYDAWAY FRAME  
POST MEMBER

HYDAWAY BOTTOM  
DOOR LEAF TUBE  
SIZE MAY VARY

.25" MIN 3" - 36"

SECTION B-B  
SCALE 1 : 10

**PROPRIETARY AND CONFIDENTIAL**

THE INFORMATION CONTAINED IN THIS DRAWING IS THE SOLE PROPERTY OF HYDAWAY HYDRAULIC WALLS. ANY REPRODUCTION IN PART OR AS A WHOLE WITHOUT THE WRITTEN PERMISSION OF HYDAWAY HYDRAULIC WALLS IS PROHIBITED.



		UNLESS OTHERWISE SPECIFIED:		NAME	DATE
		DIMENSIONS ARE IN INCHES	DRAWN		
		TOLERANCES:	CHECKED		
		FRACTIONAL ±	ENG APPR.		
		ANGULAR: MACH ± BEND ±	MFG APPR.		
		TWO PLACE DECIMAL ±	Q.A.		
		THREE PLACE DECIMAL ±	COMMENTS:		
		INTERPRET GEOMETRIC TOLERANCING PER: ASME Y14. 5-2009			
		MATERIAL			
		FINISH			
NEXT ASSY	USED ON				
APPLICATION		DO NOT SCALE DRAWING			

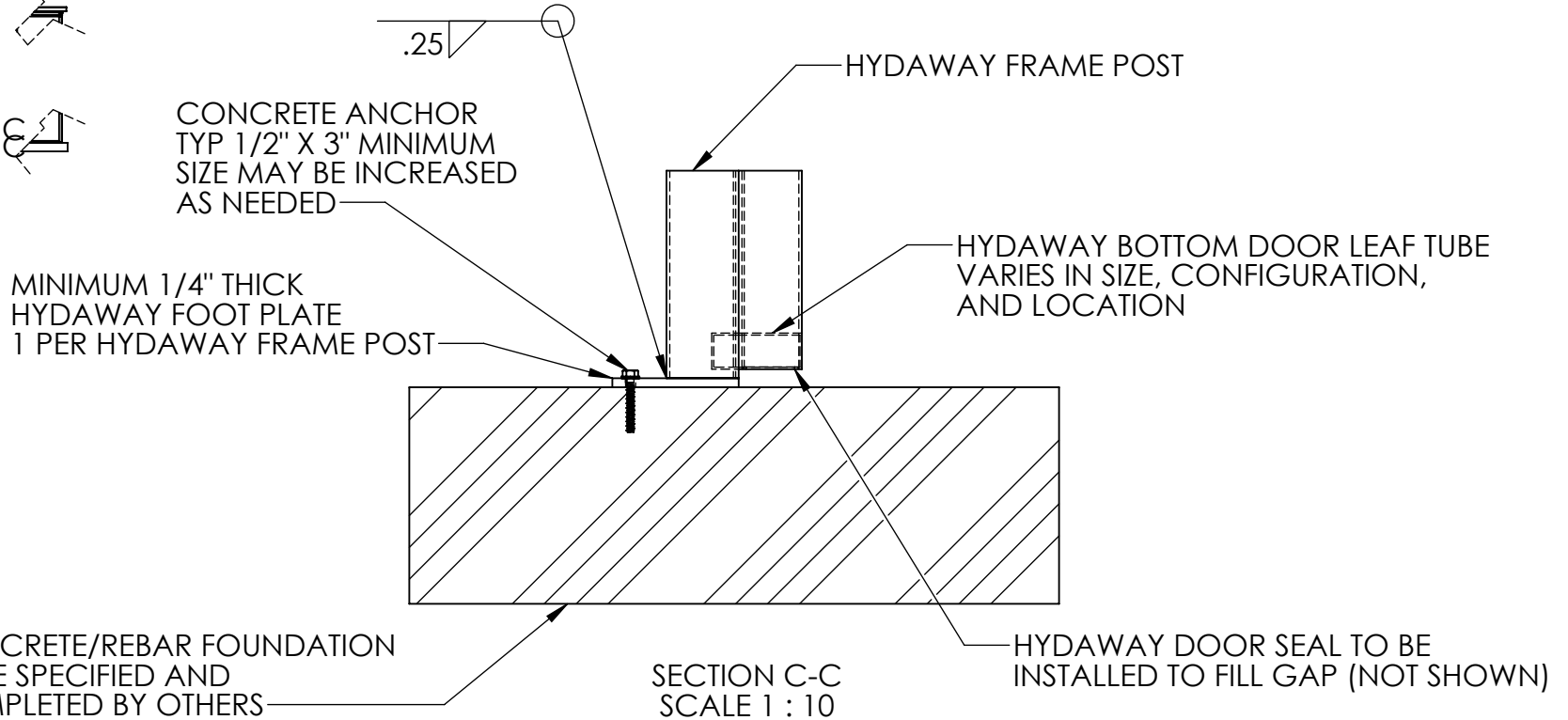
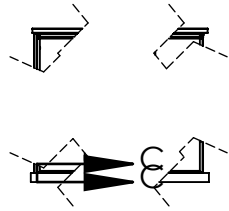
Part Number	N/A	
TITLE:	Tube Jamb and Header	
SIZE	Door Type(s)	REV
<b>A</b>	Small Frame HydAway Wall	<b>A</b>
SCALE: 1:25	WEIGHT:	SHEET 2 OF 3

A

A

Monday, July 25, 2022 1:08:14 PM

# HYDAWAY SMALL FRAME SILL DETAIL



### PROPRIETARY AND CONFIDENTIAL

THE INFORMATION CONTAINED IN THIS DRAWING IS THE SOLE PROPERTY OF HYDAWAY HYDRAULIC WALLS. ANY REPRODUCTION IN PART OR AS A WHOLE WITHOUT THE WRITTEN PERMISSION OF HYDAWAY HYDRAULIC WALLS IS PROHIBITED.



		UNLESS OTHERWISE SPECIFIED:	NAME	DATE
		DIMENSIONS ARE IN INCHES	DRAWN	
		TOLERANCES:	CHECKED	
		FRACTIONAL ±	ENG APPR.	
		ANGULAR: MACH ± BEND ±	MFG APPR.	
		TWO PLACE DECIMAL ±	Q.A.	
		THREE PLACE DECIMAL ±	COMMENTS:	
		INTERPRET GEOMETRIC TOLERANCING PER: ASME Y14. 5-2009		
		MATERIAL		
		FINISH		
NEXT ASSY	USED ON			
APPLICATION		DO NOT SCALE DRAWING		

Part Number	N/A	
TITLE:	Tube Jamb and Header	
SIZE	Door Type(s)	REV
<b>A</b>	Small Frame HydAway Wall	<b>A</b>
SCALE: 1:25	WEIGHT:	SHEET 3 OF 3