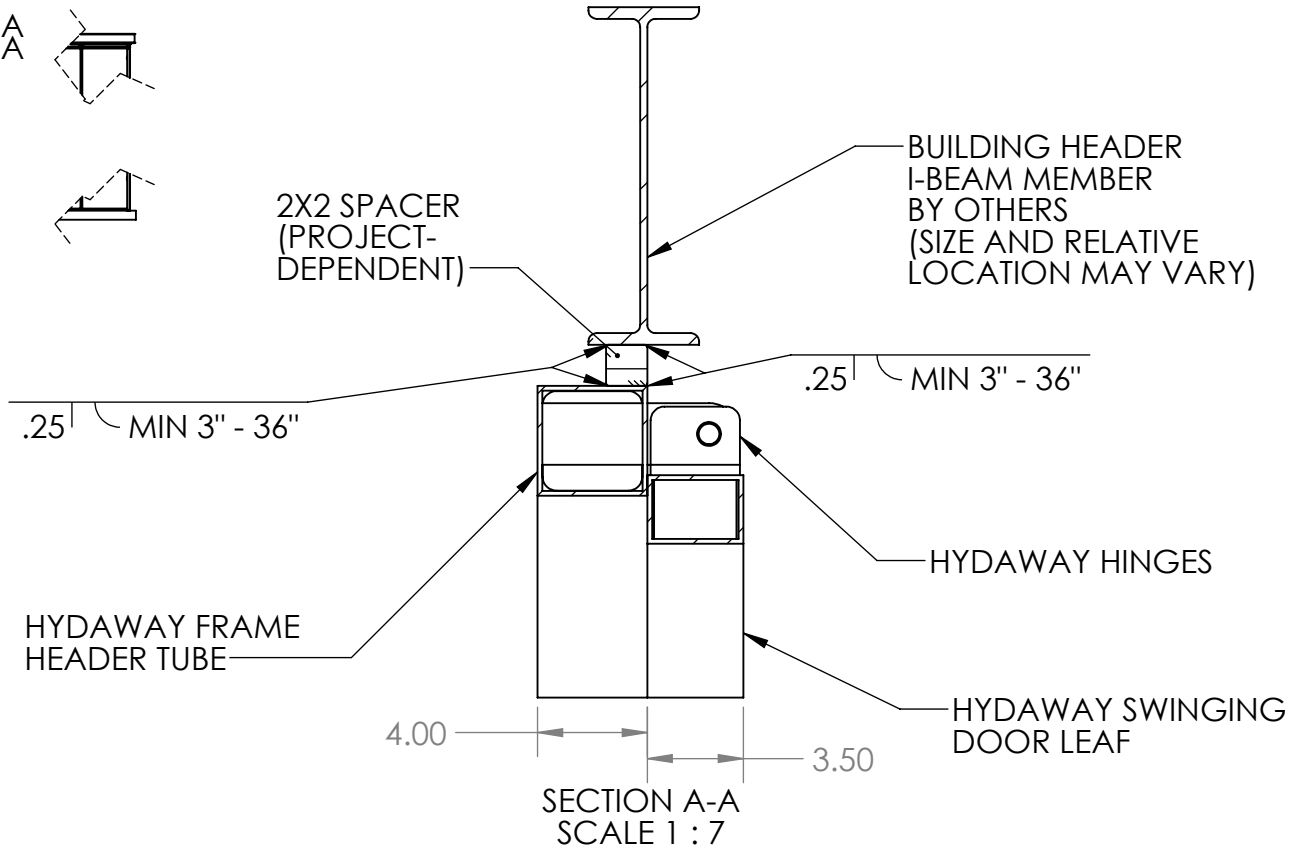
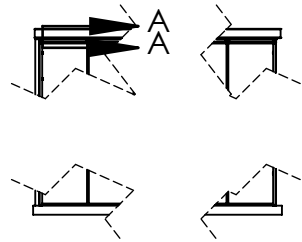


Thursday, July 21, 2022 3:24:12 PM

# HYDAWAY SMALL FRAME HEAD DETAIL (I-BEAM BUILDING HEAD MEMBER)



**PROPRIETARY AND CONFIDENTIAL**

THE INFORMATION CONTAINED IN THIS DRAWING IS THE SOLE PROPERTY OF HYDAWAY HYDRAULIC WALLS. ANY REPRODUCTION IN PART OR AS A WHOLE WITHOUT THE WRITTEN PERMISSION OF HYDAWAY HYDRAULIC WALLS IS PROHIBITED.

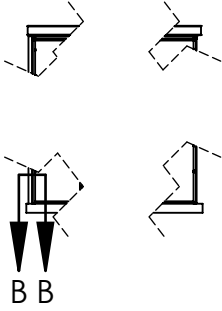


		UNLESS OTHERWISE SPECIFIED:		NAME	DATE
		DIMENSIONS ARE IN INCHES	DRAWN		
		TOLERANCES:	CHECKED		
		FRACTIONAL ±	ENG APPR.		
		ANGULAR: MACH ± BEND ±	MFG APPR.		
		TWO PLACE DECIMAL ±	Q.A.		
		THREE PLACE DECIMAL ±	COMMENTS:		
		INTERPRET GEOMETRIC TOLERANCING PER: ASME Y14. 5-2009			
		MATERIAL			
		FINISH			
NEXT ASSY	USED ON				
APPLICATION		DO NOT SCALE DRAWING			

Part Number	N/A	
TITLE:	I-Beam Jamb and Header	
SIZE	Door Type(s)	REV
<b>A</b>	Small Frame HydAway Wall	<b>A</b>
SCALE: 1:25	WEIGHT:	SHEET 1 OF 3

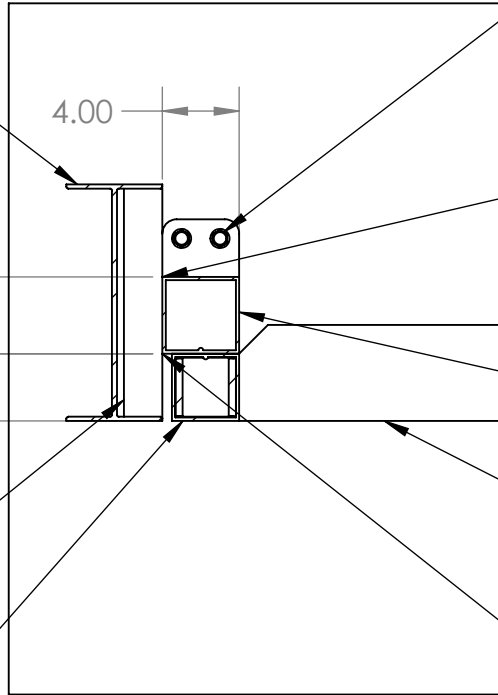
Thursday, July 21, 2022 3:24:12 PM

# HYDAWAY SMALL FRAME JAMB DETAIL (I-BEAM BUILDING JAMB MEMBER)



BUILDING JAMB  
I-BEAM MEMBER  
BY OTHERS  
(SIZE AND RELATIVE  
LOCATION MAY VARY)

1-1/2" X 1-1/2" X 1/4" OR  
LARGER ANGLE IRON WELDED  
TO I-BEAM FLANGES EVERY 24"  
OR LESS ON-CENTER FLAT OF  
ANGLE IRON FLUSH WITH  
EDGES OF I-BEAM FLANGES  
(BY OTHERS)



CONCRETE ANCHORS  
SIZED PER DOOR  
TYP 1/2" DIAMETER X 3" MINIMUM

.25" MIN 3" - 36"

HYDAWAY FRAME  
POST MEMBER

HYDAWAY BOTTOM  
DOOR LEAF TUBE  
SIZE MAY VARY

HYDAWAY DOOR  
LEG MEMBER

.25" MIN 3" - 36"

SECTION B-B  
SCALE 1 : 10

**PROPRIETARY AND CONFIDENTIAL**

THE INFORMATION CONTAINED IN THIS DRAWING IS THE SOLE PROPERTY OF HYDAWAY HYDRAULIC WALLS. ANY REPRODUCTION IN PART OR AS A WHOLE WITHOUT THE WRITTEN PERMISSION OF HYDAWAY HYDRAULIC WALLS IS PROHIBITED.



		UNLESS OTHERWISE SPECIFIED:		NAME	DATE
		DIMENSIONS ARE IN INCHES	DRAWN		
		TOLERANCES:	CHECKED		
		FRACTIONAL ±	ENG APPR.		
		ANGULAR: MACH ± BEND ±	MFG APPR.		
		TWO PLACE DECIMAL ±	Q.A.		
		THREE PLACE DECIMAL ±	COMMENTS:		
		INTERPRET GEOMETRIC TOLERANCING PER: ASME Y14. 5-2009			
		MATERIAL			
		FINISH			
NEXT ASSY	USED ON				
APPLICATION		DO NOT SCALE DRAWING			

Part Number	N/A	
TITLE:	I-Beam Jamb and Header	
SIZE	Door Type(s)	REV
<b>A</b>	Small Frame Hydaway Wall	<b>A</b>
SCALE: 1:25	WEIGHT:	SHEET 2 OF 3

B

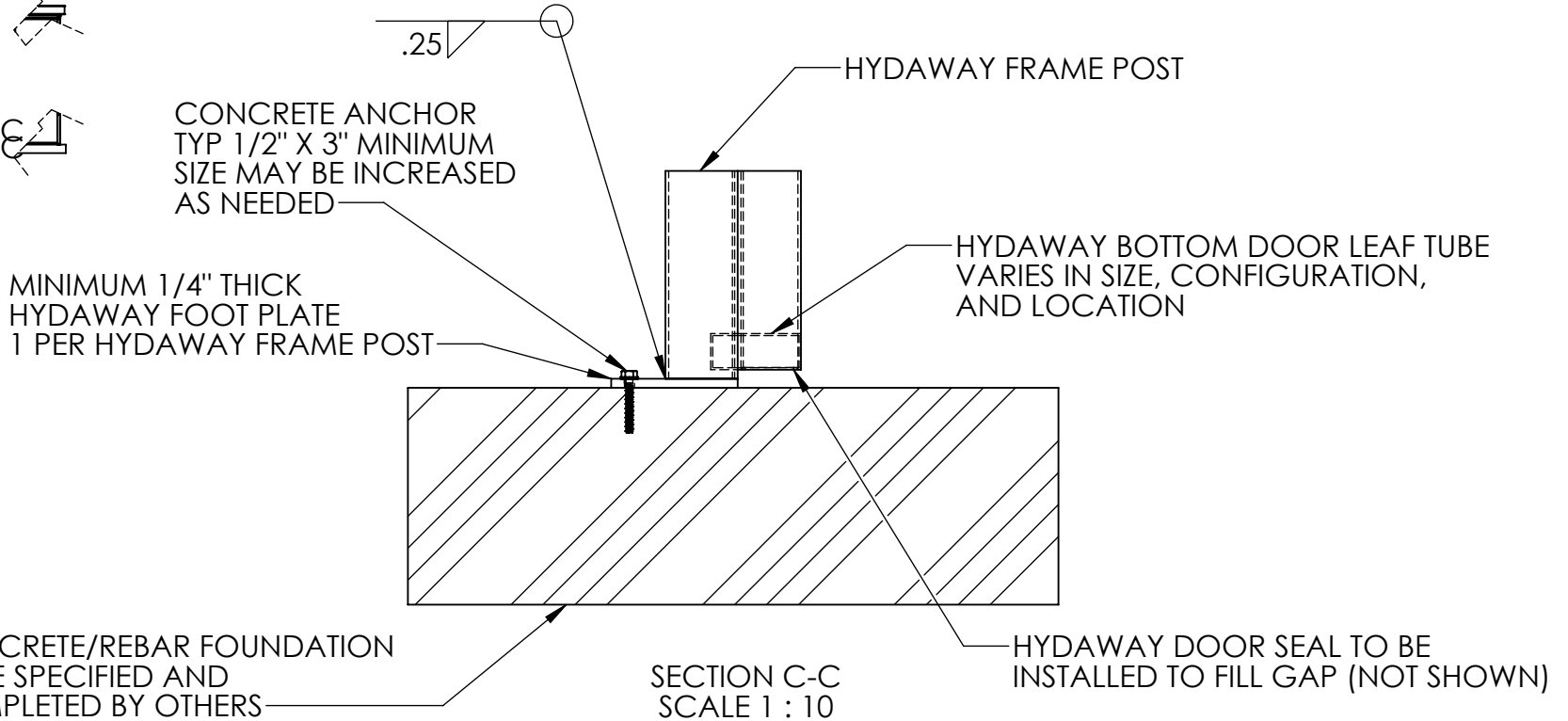
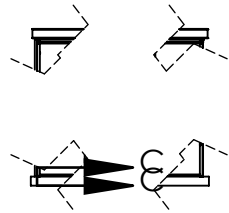
B

A

A

Thursday, July 21, 2022 3:24:12 PM

# HYDAWAY SMALL FRAME SILL DETAIL



### PROPRIETARY AND CONFIDENTIAL

THE INFORMATION CONTAINED IN THIS DRAWING IS THE SOLE PROPERTY OF HYDAWAY HYDRAULIC WALLS. ANY REPRODUCTION IN PART OR AS A WHOLE WITHOUT THE WRITTEN PERMISSION OF HYDAWAY HYDRAULIC WALLS IS PROHIBITED.



		UNLESS OTHERWISE SPECIFIED:		NAME	DATE
		DIMENSIONS ARE IN INCHES	DRAWN		
		TOLERANCES:	CHECKED		
		FRACTIONAL ±	ENG APPR.		
		ANGULAR: MACH ± BEND ±	MFG APPR.		
		TWO PLACE DECIMAL ±	Q.A.		
		THREE PLACE DECIMAL ±	COMMENTS:		
		INTERPRET GEOMETRIC TOLERANCING PER: ASME Y14. 5-2009			
		MATERIAL			
		FINISH			
NEXT ASSY	USED ON				
APPLICATION		DO NOT SCALE DRAWING			

Part Number	N/A	
TITLE:	I-Beam Jamb and Header	
SIZE	Door Type(s)	REV
<b>A</b>	Small Frame HydaWay Wall	A
SCALE: 1:25	WEIGHT:	SHEET 3 OF 3