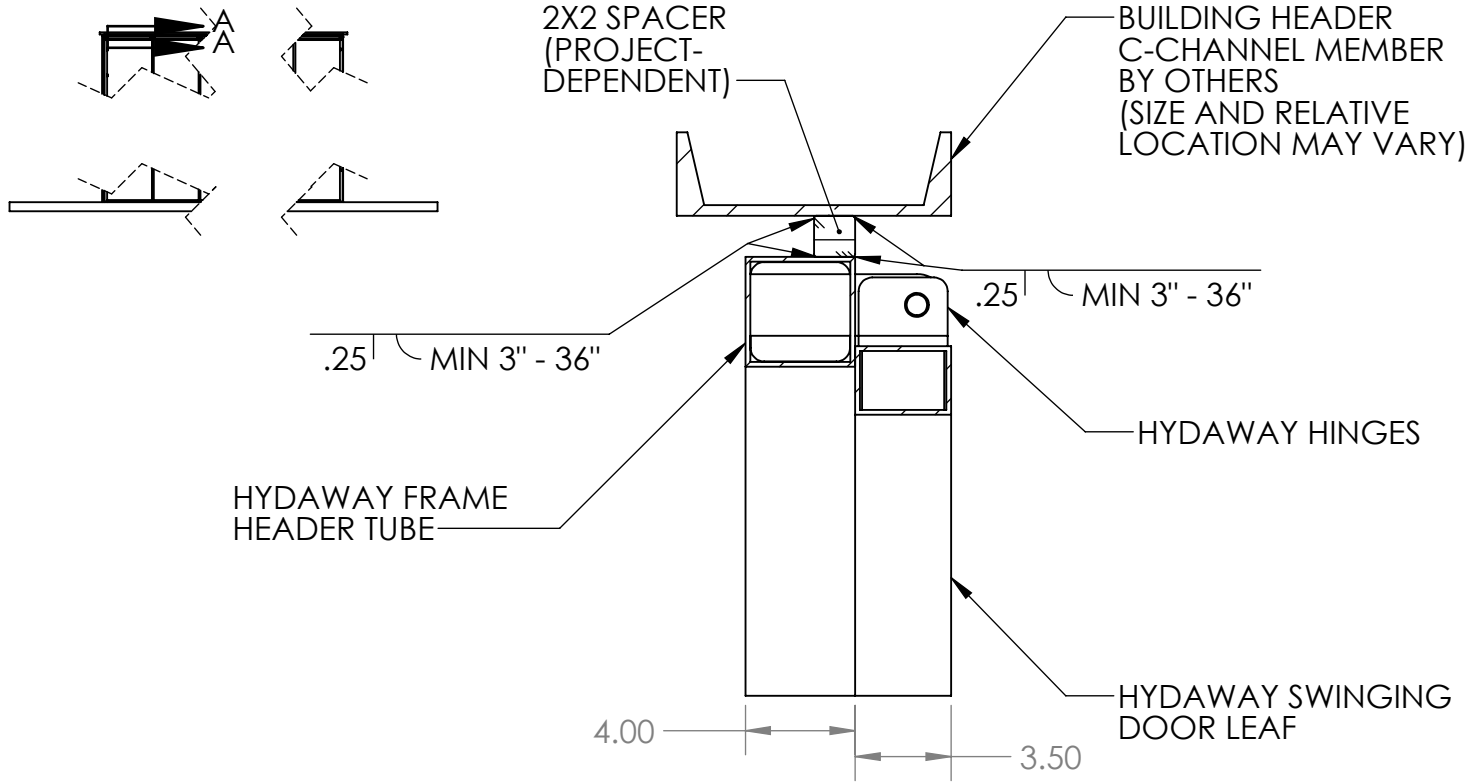


Thursday, July 21, 2022 3:16:52 PM

# HYDAWAY SMALL FRAME HEAD DETAIL (C-CHANNEL BUILDING HEAD MEMBER)

B

B



SECTION A-A  
SCALE 1 : 7

**PROPRIETARY AND CONFIDENTIAL**

THE INFORMATION CONTAINED IN THIS DRAWING IS THE SOLE PROPERTY OF HYDAWAY HYDRAULIC WALLS. ANY REPRODUCTION IN PART OR AS A WHOLE WITHOUT THE WRITTEN PERMISSION OF HYDAWAY HYDRAULIC WALLS IS PROHIBITED.



		UNLESS OTHERWISE SPECIFIED:		NAME	DATE	Part Number
		DIMENSIONS ARE IN INCHES		DRAWN		N/A
		TOLERANCES:		CHECKED		TITLE: <b>C-Channel Jamb and Header</b>
		FRACTIONAL ±		ENG APPR.		
		ANGULAR: MACH ± BEND ±		MFG APPR.		
		TWO PLACE DECIMAL ±		Q.A.		
		THREE PLACE DECIMAL ±		COMMENTS:		
		INTERPRET GEOMETRIC TOLERANCING PER: ASME Y14. 5-2009				
		MATERIAL				SIZE
		FINISH				Door Type(s)
NEXT ASSY	USED ON					Small Frame HydAway Wall
						REV
						A
						SCALE: 1:25 & WEIGHT:
						SHEET 1 OF 3

A

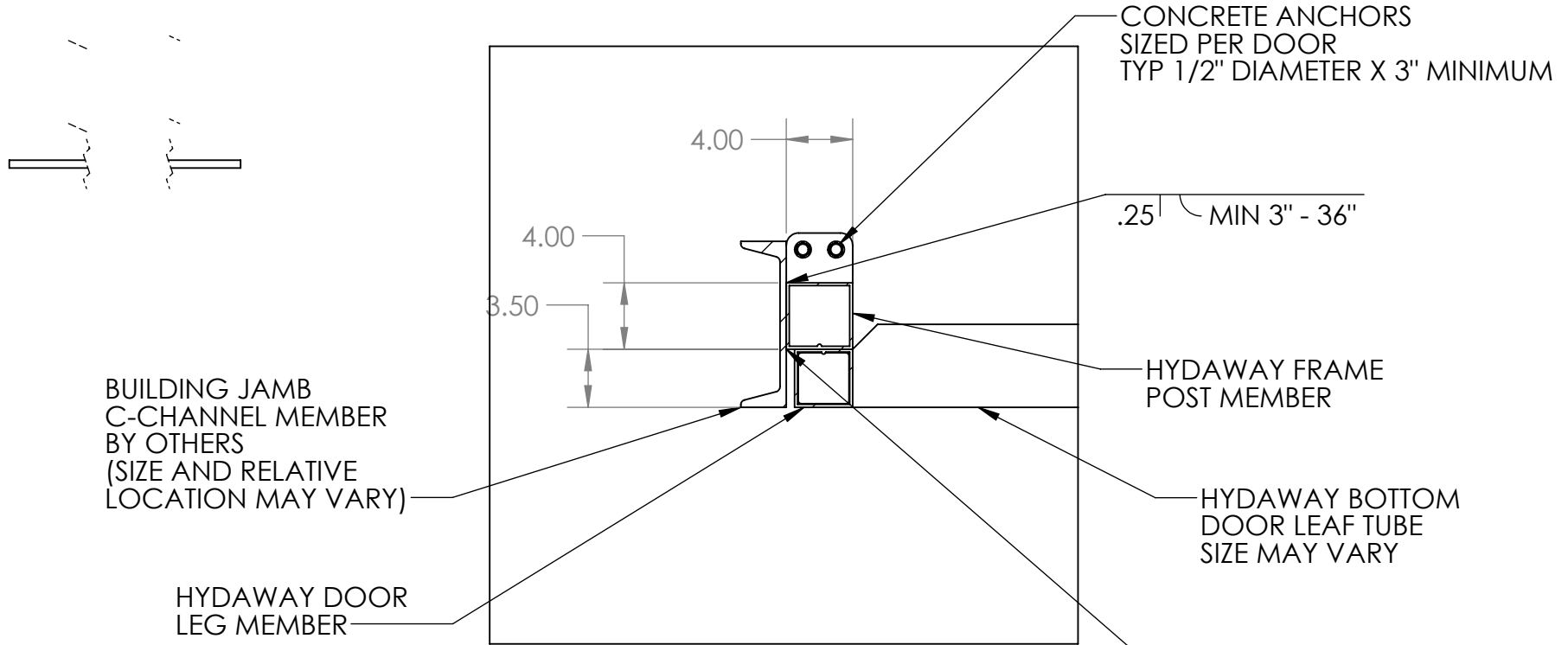
A

Thursday, July 21, 2022 3:16:52 PM

# HYDAWAY SMALL FRAME JAMB DETAIL (C-CHANNEL BUILDING JAMB MEMBER)

B

B



SECTION B-B  
SCALE 1 : 10

**PROPRIETARY AND CONFIDENTIAL**

THE INFORMATION CONTAINED IN THIS DRAWING IS THE SOLE PROPERTY OF HYDAWAY HYDRAULIC WALLS. ANY REPRODUCTION IN PART OR AS A WHOLE WITHOUT THE WRITTEN PERMISSION OF HYDAWAY HYDRAULIC WALLS IS PROHIBITED.



		UNLESS OTHERWISE SPECIFIED:		NAME	DATE
		DIMENSIONS ARE IN INCHES	DRAWN		
		TOLERANCES:	CHECKED		
		FRACTIONAL ±	ENG APPR.		
		ANGULAR: MACH ± BEND ±	MFG APPR.		
		TWO PLACE DECIMAL ±	Q.A.		
		THREE PLACE DECIMAL ±	COMMENTS:		
		INTERPRET GEOMETRIC TOLERANCING PER: ASME Y14. 5-2009			
		MATERIAL			
		FINISH			
NEXT ASSY	USED ON				
APPLICATION		DO NOT SCALE DRAWING			

Part Number	N/A	
TITLE:	C-Channel Jamb and Header	
SIZE	Door Type(s)	REV
<b>A</b>	Small Frame HydAway Wall	<b>A</b>
SCALE: 1:25	WEIGHT:	SHEET 2 OF 3

A

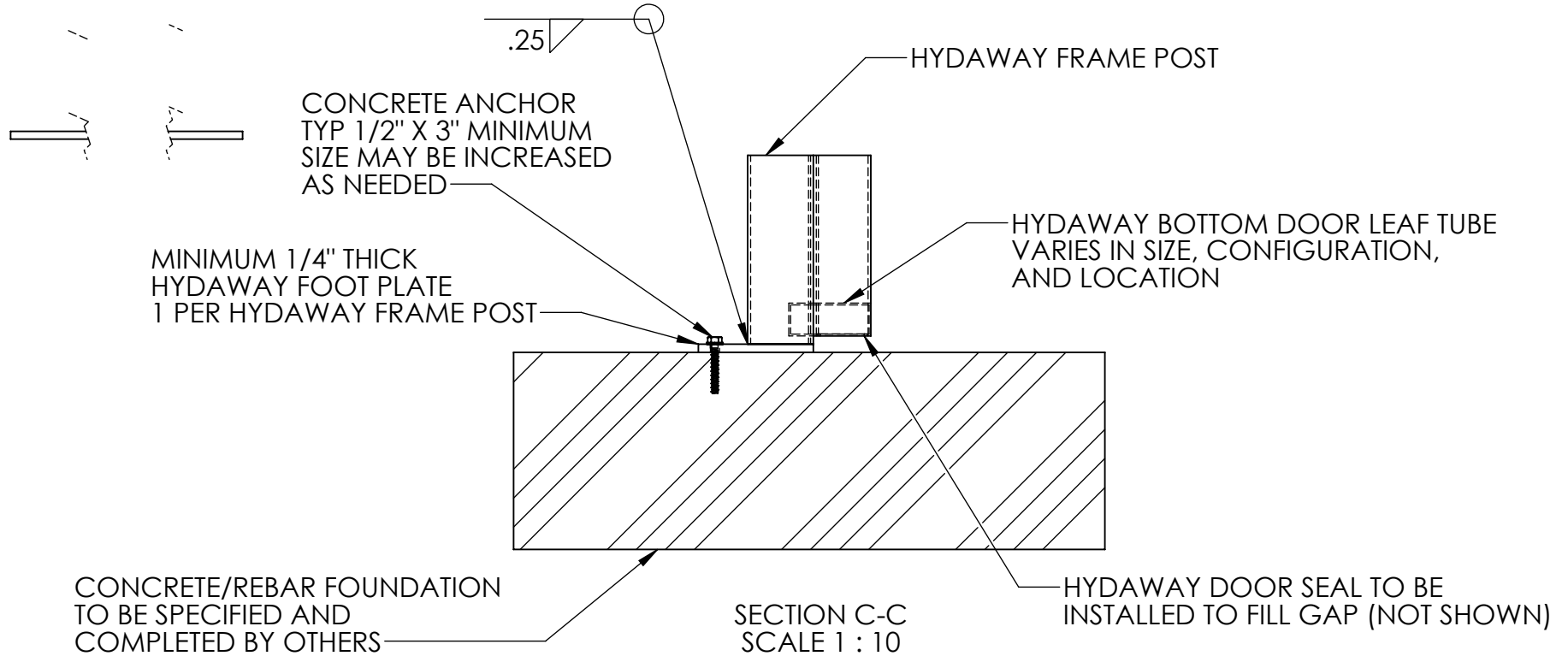
A

Thursday, July 21, 2022 3:16:52 PM

# HYDAWAY SMALL FRAME SILL DETAIL

B

B



A

A

**PROPRIETARY AND CONFIDENTIAL**

THE INFORMATION CONTAINED IN THIS DRAWING IS THE SOLE PROPERTY OF HYDAWAY HYDRAULIC WALLS. ANY REPRODUCTION IN PART OR AS A WHOLE WITHOUT THE WRITTEN PERMISSION OF HYDAWAY HYDRAULIC WALLS IS PROHIBITED.



		UNLESS OTHERWISE SPECIFIED:		NAME	DATE
		DIMENSIONS ARE IN INCHES	DRAWN		
		TOLERANCES:	CHECKED		
		FRACTIONAL ±	ENG APPR.		
		ANGULAR: MACH ± BEND ±	MFG APPR.		
		TWO PLACE DECIMAL ±	Q.A.		
		THREE PLACE DECIMAL ±	COMMENTS:		
		INTERPRET GEOMETRIC TOLERANCING PER: ASME Y14. 5-2009			
		MATERIAL			
		FINISH			
NEXT ASSY	USED ON				
APPLICATION		DO NOT SCALE DRAWING			

Part Number	N/A	
TITLE:	C-Channel Jamb and Header	
SIZE	Door Type(s)	REV
<b>A</b>	Small Frame HydaWay Wall	<b>A</b>
SCALE: 1:25	WEIGHT:	SHEET 3 OF 3