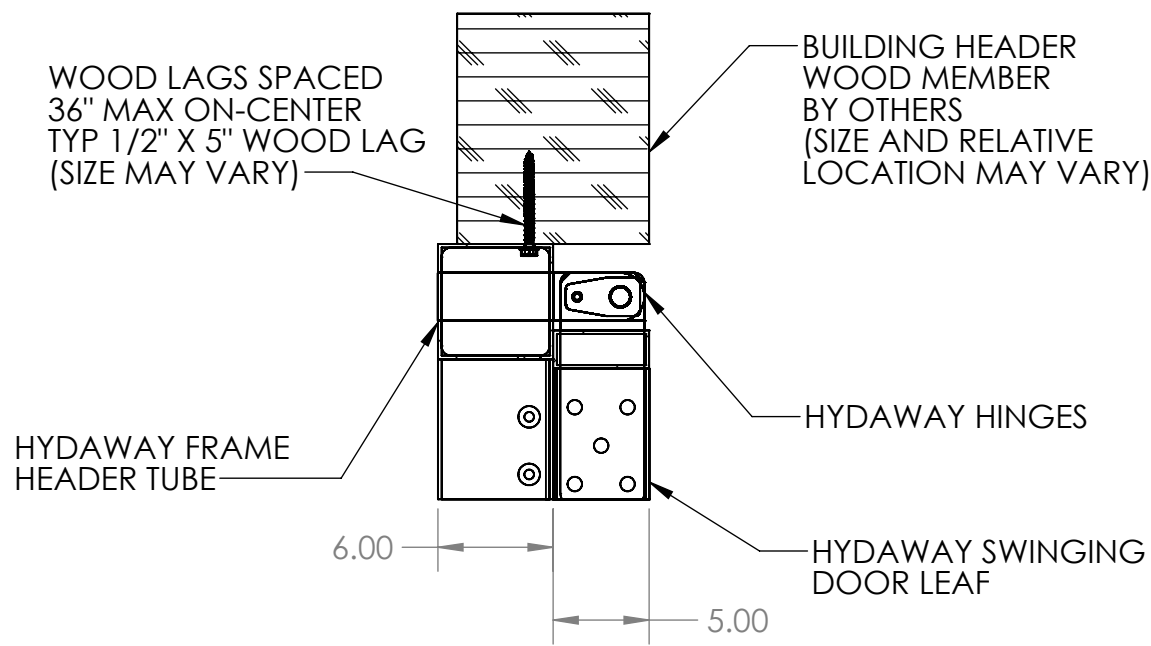
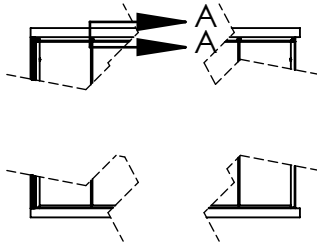


Monday, May 23, 2022 3:08:40 PM

LARGE FRAME HYDAWAY WALL HEAD DETAIL (WOOD BUILDING HEAD MEMBER)

B

B



SECTION A-A
SCALE 1 : 10

A

A

PROPRIETARY AND CONFIDENTIAL
THE INFORMATION CONTAINED IN THIS DRAWING IS THE SOLE PROPERTY OF HYDAWAY HYDRAULIC WALLS. ANY REPRODUCTION IN PART OR AS A WHOLE WITHOUT THE WRITTEN PERMISSION OF HYDAWAY HYDRAULIC WALLS IS PROHIBITED.



		UNLESS OTHERWISE SPECIFIED:		NAME	DATE	Part Number
		DIMENSIONS ARE IN INCHES				N/A
		TOLERANCES:				TITLE: <h2 style="margin: 0;">Wood Jamb and Solid Wood Header</h2>
		FRACTIONAL ±				
		ANGULAR: MACH ± BEND ±				
		TWO PLACE DECIMAL ±				
		THREE PLACE DECIMAL ±				
		INTERPRET GEOMETRIC TOLERANCING PER: ASME Y14. 5-2009				
		MATERIAL				
		FINISH				
NEXT ASSY	USED ON					
APPLICATION		DO NOT SCALE DRAWING				

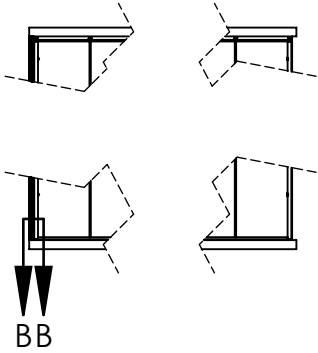
	Door Type(s)	REV
A	Large Frame HydAway Wall	A
SCALE: 1:25&WEIGHT:		SHEET 1 OF 3

Monday, May 23, 2022 3:08:40 PM

LARGE FRAME HYDAWAY WALL JAMB DETAIL (WOOD BUILDING JAMB MEMBER)

B

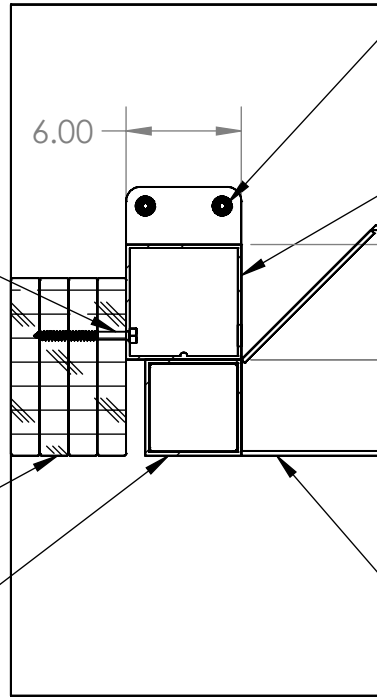
B



WOOD LAGS SPACED
18" MAX ON-CENTER
TYP 1/2" X 5" WOOD LAG
(SIZE MAY VARY)

BUILDING JAMB
2X10 WOOD MEMBERS
BY OTHERS
(SIZE AND RELATIVE
LOCATION MAY VARY)

HYDAWAY DOOR
LEG MEMBER



CONCRETE ANCHORS
SIZED PER DOOR
TYP 1/2" DIAMETER X 3" MINIMUM

HYDAWAY FRAME
POST MEMBER

6.00

5.00

HYDAWAY BOTTOM
DOOR LEAF TUBE
SIZE MAY VARY

SECTION B-B
SCALE 1 : 10

PROPRIETARY AND CONFIDENTIAL

THE INFORMATION CONTAINED IN THIS DRAWING IS THE SOLE PROPERTY OF HYDAWAY HYDRAULIC WALLS. ANY REPRODUCTION IN PART OR AS A WHOLE WITHOUT THE WRITTEN PERMISSION OF HYDAWAY HYDRAULIC WALLS IS PROHIBITED.



		UNLESS OTHERWISE SPECIFIED:		NAME	DATE
		DIMENSIONS ARE IN INCHES TOLERANCES: FRACTIONAL ± ANGULAR: MACH ± BEND ± TWO PLACE DECIMAL ± THREE PLACE DECIMAL ±	DRAWN		
		INTERPRET GEOMETRIC TOLERANCING PER: ASME Y14. 5-2009	CHECKED		
		MATERIAL	ENG APPR.		
		FINISH	MFG APPR.		
			Q.A.		
			COMMENTS:		
NEXT ASSY	USED ON				
APPLICATION		DO NOT SCALE DRAWING			

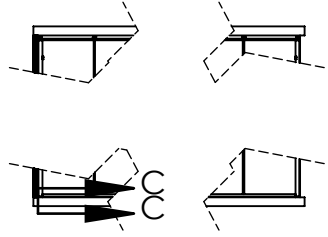
Part Number	N/A	
TITLE:	Wood Jamb and Solid Wood Header	
SIZE	Door Type(s)	REV
A	Large Frame HydAway Wall	A
SCALE: 1:25	WEIGHT:	SHEET 2 OF 3

A

A

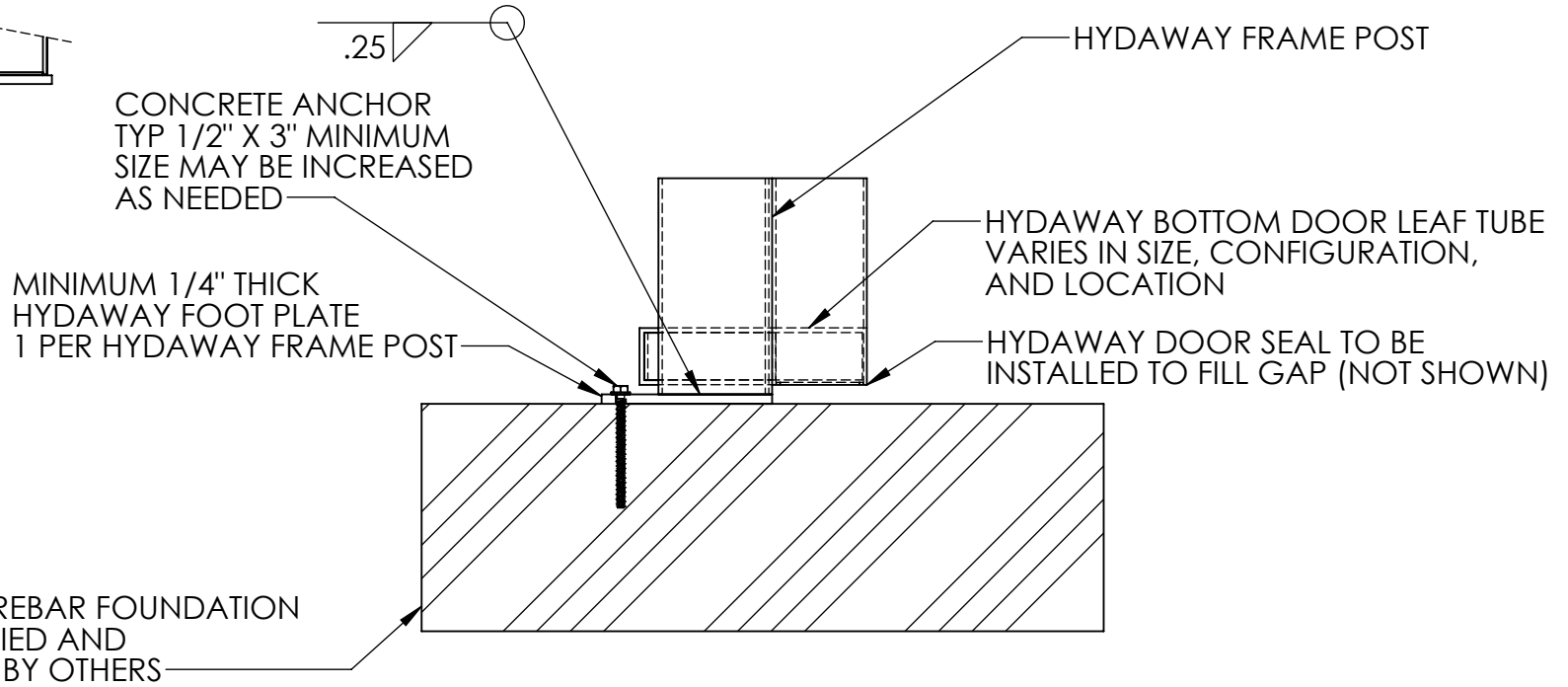
Monday, May 23, 2022 3:08:40 PM

LARGE FRAME HYDAWAY WALL SILL DETAIL



B

B



SECTION C-C
SCALE 1 : 10

PROPRIETARY AND CONFIDENTIAL

THE INFORMATION CONTAINED IN THIS DRAWING IS THE SOLE PROPERTY OF HYDAWAY HYDRAULIC WALLS. ANY REPRODUCTION IN PART OR AS A WHOLE WITHOUT THE WRITTEN PERMISSION OF HYDAWAY HYDRAULIC WALLS IS PROHIBITED.



		UNLESS OTHERWISE SPECIFIED:		NAME	DATE
		DIMENSIONS ARE IN INCHES	DRAWN		
		TOLERANCES:	CHECKED		
		FRACTIONAL ±	ENG APPR.		
		ANGULAR: MACH ± BEND ±	MFG APPR.		
		TWO PLACE DECIMAL ±	Q.A.		
		THREE PLACE DECIMAL ±	COMMENTS:		
		INTERPRET GEOMETRIC TOLERANCING PER: ASME Y14. 5-2009			
		MATERIAL			
		FINISH			
NEXT ASSY	USED ON				
APPLICATION		DO NOT SCALE DRAWING			

Part Number	N/A	
TITLE:	Wood Jamb and Solid Wood Header	
SIZE	Door Type(s)	REV
A	Large Frame HydAway Wall	A
SCALE: 1:25	WEIGHT:	SHEET 3 OF 3

A

A