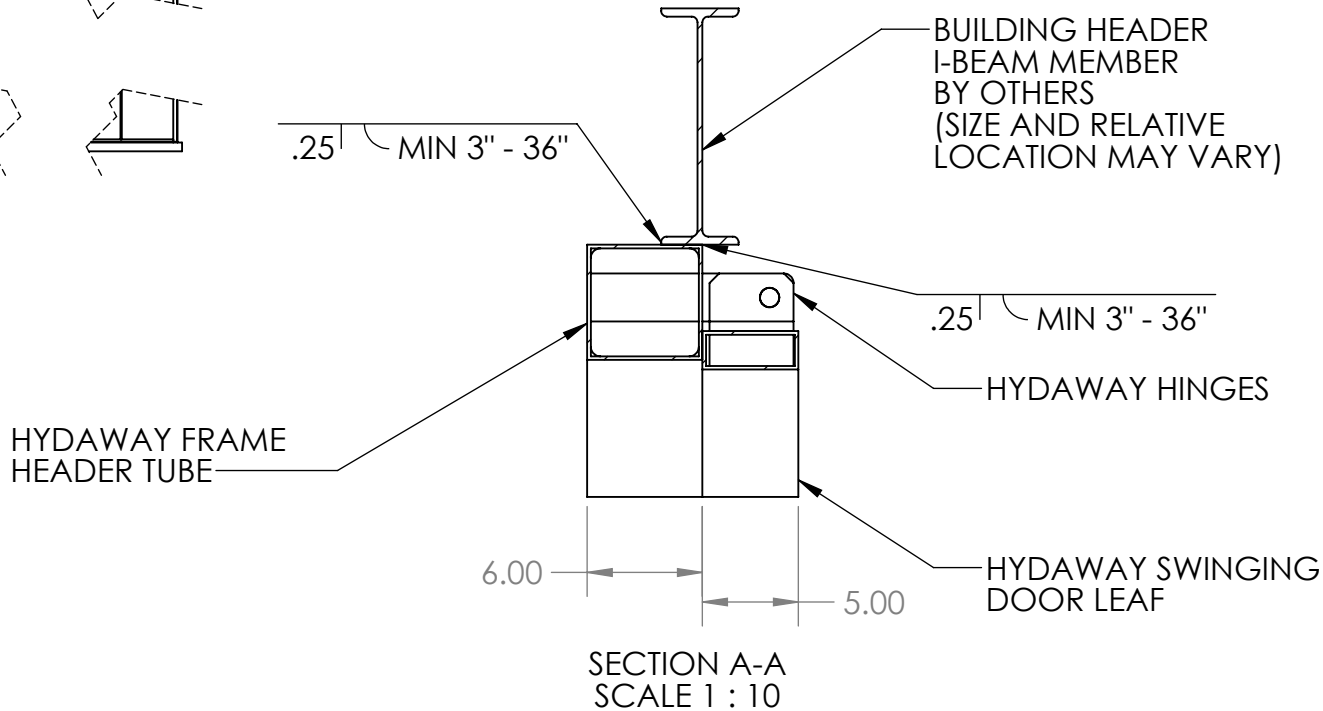
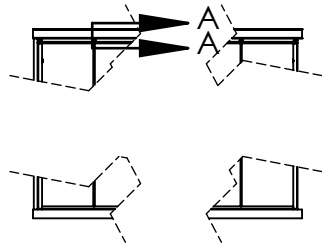


Monday, July 25, 2022 8:15:38 AM

HYDAWAY LARGE FRAME HEAD DETAIL (I-BEAM BUILDING HEAD MEMBER)



PROPRIETARY AND CONFIDENTIAL

THE INFORMATION CONTAINED IN THIS DRAWING IS THE SOLE PROPERTY OF HYDAWAY HYDRAULIC WALLS. ANY REPRODUCTION IN PART OR AS A WHOLE WITHOUT THE WRITTEN PERMISSION OF HYDAWAY HYDRAULIC WALLS IS PROHIBITED.



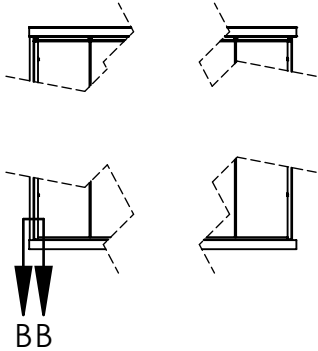
		UNLESS OTHERWISE SPECIFIED:	NAME	DATE
		DIMENSIONS ARE IN INCHES	DRAWN	
		TOLERANCES:	CHECKED	
		FRACTIONAL ±	ENG APPR.	
		ANGULAR: MACH ± BEND ±	MFG APPR.	
		TWO PLACE DECIMAL ±	Q.A.	
		THREE PLACE DECIMAL ±	COMMENTS:	
		INTERPRET GEOMETRIC TOLERANCING PER: ASME Y14. 5-2009		
		MATERIAL		
		FINISH		
NEXT ASSY	USED ON			
APPLICATION		DO NOT SCALE DRAWING		

Part Number	N/A	
TITLE:	I-Beam Jamb and Header	
SIZE	Door Type(s)	REV
A	Large Frame HydAway Wall	A
SCALE: 1:25	WEIGHT:	SHEET 1 OF 3

Monday, July 25, 2022 8:15:38 AM

HYDAWAY LARGE FRAME JAMB DETAIL (I-BEAM BUILDING JAMB MEMBER)

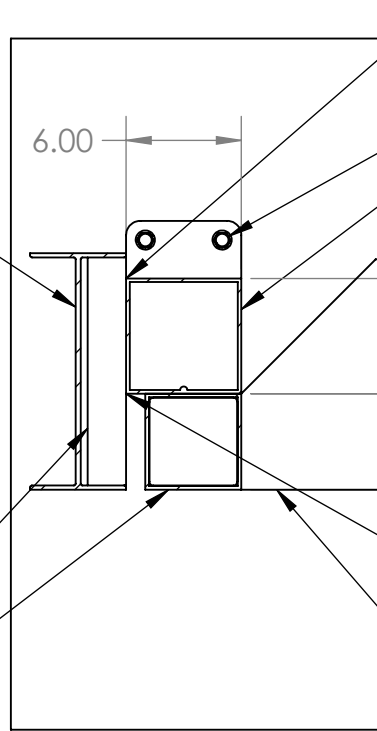
B



BUILDING JAMB
I-BEAM MEMBER
BY OTHERS
(SIZE AND RELATIVE
LOCATION MAY VARY)

1-1/2" 1-1/2" X 1/4" OR
LARGER ANGLE IRON
WELDED TO I-BEAM FLANGES
EVERY 24" OR LESS ON-CENTER
FLAT OF ANGLE IRON FLUSH
WITH EDGES OF I-BEAM FLANGES
(BY OTHERS)

HYDAWAY DOOR
LEG MEMBER



.25 | MIN 3" - 36"

CONCRETE ANCHORS
SIZED PER DOOR
TYP 1/2" DIAMETER X 3" MINIMUM

HYDAWAY FRAME
POST MEMBER

6.00

5.00

.25 | MIN 3" - 36"

HYDAWAY BOTTOM
DOOR LEAF TUBE
SIZE MAY VARY

SECTION B-B
SCALE 1 : 10

B

A

PROPRIETARY AND CONFIDENTIAL

THE INFORMATION CONTAINED IN
THIS DRAWING IS THE SOLE
PROPERTY OF HYDAWAY
HYDRAULIC WALLS. ANY
REPRODUCTION IN PART OR AS A
WHOLE WITHOUT THE WRITTEN
PERMISSION OF HYDAWAY
HYDRAULIC WALLS IS PROHIBITED.



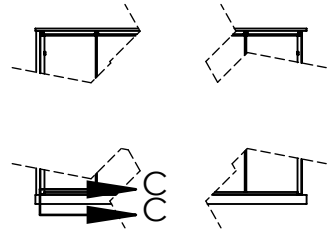
		UNLESS OTHERWISE SPECIFIED:	NAME	DATE
		DIMENSIONS ARE IN INCHES	DRAWN	
		TOLERANCES:	CHECKED	
		FRACTIONAL ±	ENG APPR.	
		ANGULAR: MACH ± BEND ±	MFG APPR.	
		TWO PLACE DECIMAL ±	Q.A.	
		THREE PLACE DECIMAL ±	COMMENTS:	
		INTERPRET GEOMETRIC TOLERANCING PER: ASME Y14. 5-2009		
		MATERIAL		
NEXT ASSY	USED ON	FINISH		
APPLICATION		DO NOT SCALE DRAWING		

Part Number		N/A	
TITLE: I-Beam Jamb and Header			
SIZE	Door Type(s)	REV	
A	Large Frame HydAway Wall	A	
SCALE: 1:25 & WEIGHT:		SHEET 2 OF 3	

A

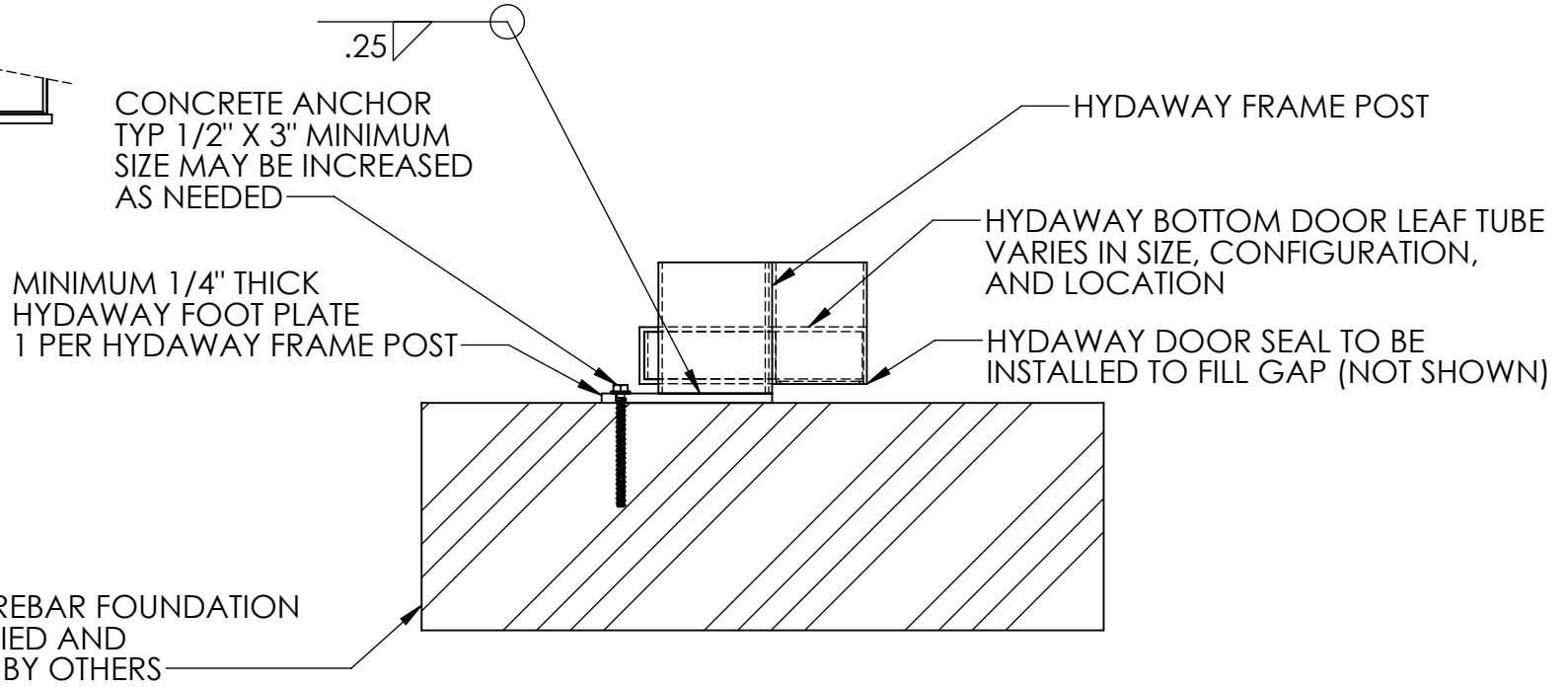
Monday, July 25, 2022 8:15:38 AM

HYDAWAY LARGE FRAME SILL DETAIL



B

B



SECTION C-C
SCALE 1 : 10

PROPRIETARY AND CONFIDENTIAL

THE INFORMATION CONTAINED IN THIS DRAWING IS THE SOLE PROPERTY OF HYDAWAY HYDRAULIC WALLS. ANY REPRODUCTION IN PART OR AS A WHOLE WITHOUT THE WRITTEN PERMISSION OF HYDAWAY HYDRAULIC WALLS IS PROHIBITED.



		UNLESS OTHERWISE SPECIFIED:		NAME	DATE
		DIMENSIONS ARE IN INCHES	DRAWN		
		TOLERANCES:	CHECKED		
		FRACTIONAL ±	ENG APPR.		
		ANGULAR: MACH ± BEND ±	MFG APPR.		
		TWO PLACE DECIMAL ±	Q.A.		
		THREE PLACE DECIMAL ±	COMMENTS:		
		INTERPRET GEOMETRIC TOLERANCING PER: ASME Y14. 5-2009			
		MATERIAL			
		FINISH			
NEXT ASSY	USED ON				
APPLICATION		DO NOT SCALE DRAWING			

Part Number	N/A	
TITLE:	I-Beam Jamb and Header	
SIZE	Door Type(s)	REV
A	Large Frame HydaWay Wall	A
SCALE: 1:25	WEIGHT:	SHEET 3 OF 3

A

A