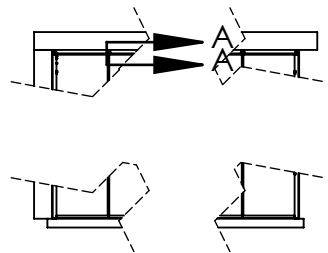


Thursday, July 21, 2022 2:48:18 PM

HYDAWAY LARGE FRAME HEAD DETAIL (CONCRETE BUILDING HEAD MEMBER)

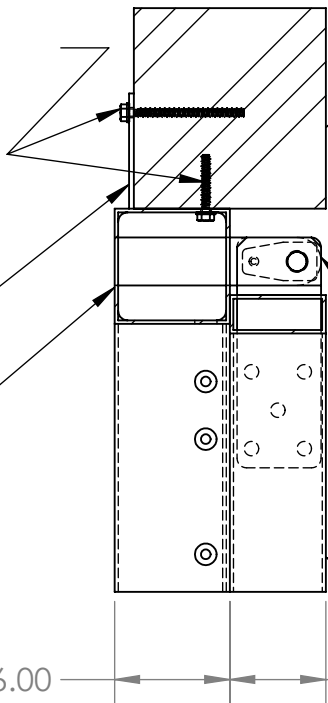


CONCRETE ANCHORS THROUGH STEEL TAB INTO CONCRETE BUILDING HEADER



STEEL TABS WELDED TO HYDAWAY FRAME HEADER FOR ANCHORS

HYDAWAY FRAME HEADER TUBE



BUILDING HEADER CONCRETE BY OTHERS (SIZE AND RELATIVE LOCATION MAY VARY)

HYDAWAY HINGES

HYDAWAY SWINGING DOOR LEAF

SECTION A-A
SCALE 1 : 10

PROPRIETARY AND CONFIDENTIAL

THE INFORMATION CONTAINED IN THIS DRAWING IS THE SOLE PROPERTY OF HYDAWAY HYDRAULIC WALLS. ANY REPRODUCTION IN PART OR AS A WHOLE WITHOUT THE WRITTEN PERMISSION OF HYDAWAY HYDRAULIC WALLS IS PROHIBITED.



		UNLESS OTHERWISE SPECIFIED:		NAME	DATE
		DIMENSIONS ARE IN INCHES	DRAWN		
		TOLERANCES:	CHECKED		
		FRACTIONAL ±	ENG APPR.		
		ANGULAR: MACH ± BEND ±	MFG APPR.		
		TWO PLACE DECIMAL ±	Q.A.		
		THREE PLACE DECIMAL ±	COMMENTS:		
		INTERPRET GEOMETRIC TOLERANCING PER: ASME Y14. 5-2009			
		MATERIAL			
		FINISH			
NEXT ASSY	USED ON				
APPLICATION		DO NOT SCALE DRAWING			

Part Number	N/A	
TITLE:	Concrete Jamb and Header	
SIZE	Door Type(s)	REV
A	Large Frame HydAway Wall	A
SCALE: 1:25	WEIGHT:	SHEET 1 OF 3

B

B

A

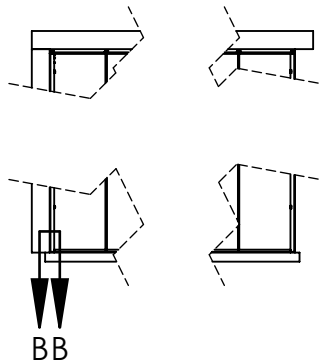
A

Thursday, July 21, 2022 2:48:18 PM

HYDAWAY LARGE FRAME JAMB DETAIL (CONCRETE BUILDING JAMB MEMBER)

B

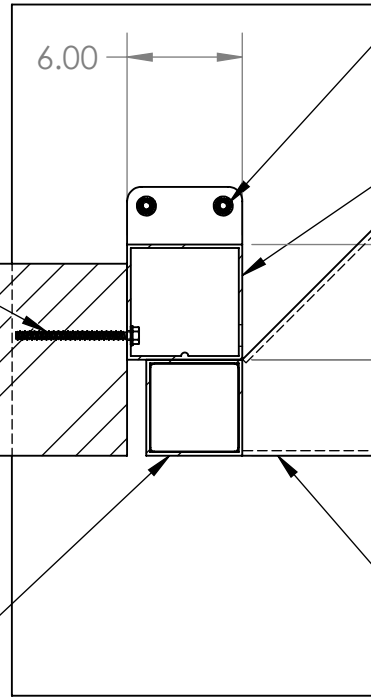
B



BUILDING JAMB
CONCRETE BY OTHERS
(SIZE AND RELATIVE
LOCATION MAY VARY)

CONCRETE ANCHORS
THROUGH HYDAWAY
FRAME POST INTO
CONCRETE BUILDING
JAMB

HYDAWAY DOOR
LEG MEMBER



CONCRETE ANCHORS
SIZED PER DOOR
TYP 1/2" DIAMETER X 3" MINIMUM

HYDAWAY FRAME
POST MEMBER

6.00

5.00

HYDAWAY BOTTOM
DOOR LEAF TUBE
SIZE MAY VARY

SECTION B-B
SCALE 1 : 10

PROPRIETARY AND CONFIDENTIAL

THE INFORMATION CONTAINED IN THIS DRAWING IS THE SOLE PROPERTY OF HYDAWAY HYDRAULIC WALLS. ANY REPRODUCTION IN PART OR AS A WHOLE WITHOUT THE WRITTEN PERMISSION OF HYDAWAY HYDRAULIC WALLS IS PROHIBITED.



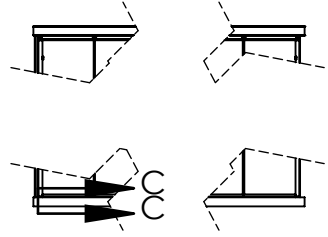
		UNLESS OTHERWISE SPECIFIED:	NAME	DATE	Part Number
		DIMENSIONS ARE IN INCHES	DRAWN		N/A
		TOLERANCES:	CHECKED		TITLE: Concrete Jamb and Header
		FRACTIONAL ±	ENG APPR.		
		ANGULAR: MACH ± BEND ±	MFG APPR.		
		TWO PLACE DECIMAL ±	Q.A.		
		THREE PLACE DECIMAL ±	COMMENTS:		
		INTERPRET GEOMETRIC TOLERANCING PER: ASME Y14. 5-2009			
		MATERIAL			SIZE
NEXT ASSY	USED ON	FINISH			Door Type(s)
APPLICATION		DO NOT SCALE DRAWING			Large Frame HydAway Wall
					REV
					A
					SCALE: 1:25&WEIGHT:
					SHEET 2 OF 3

A

A

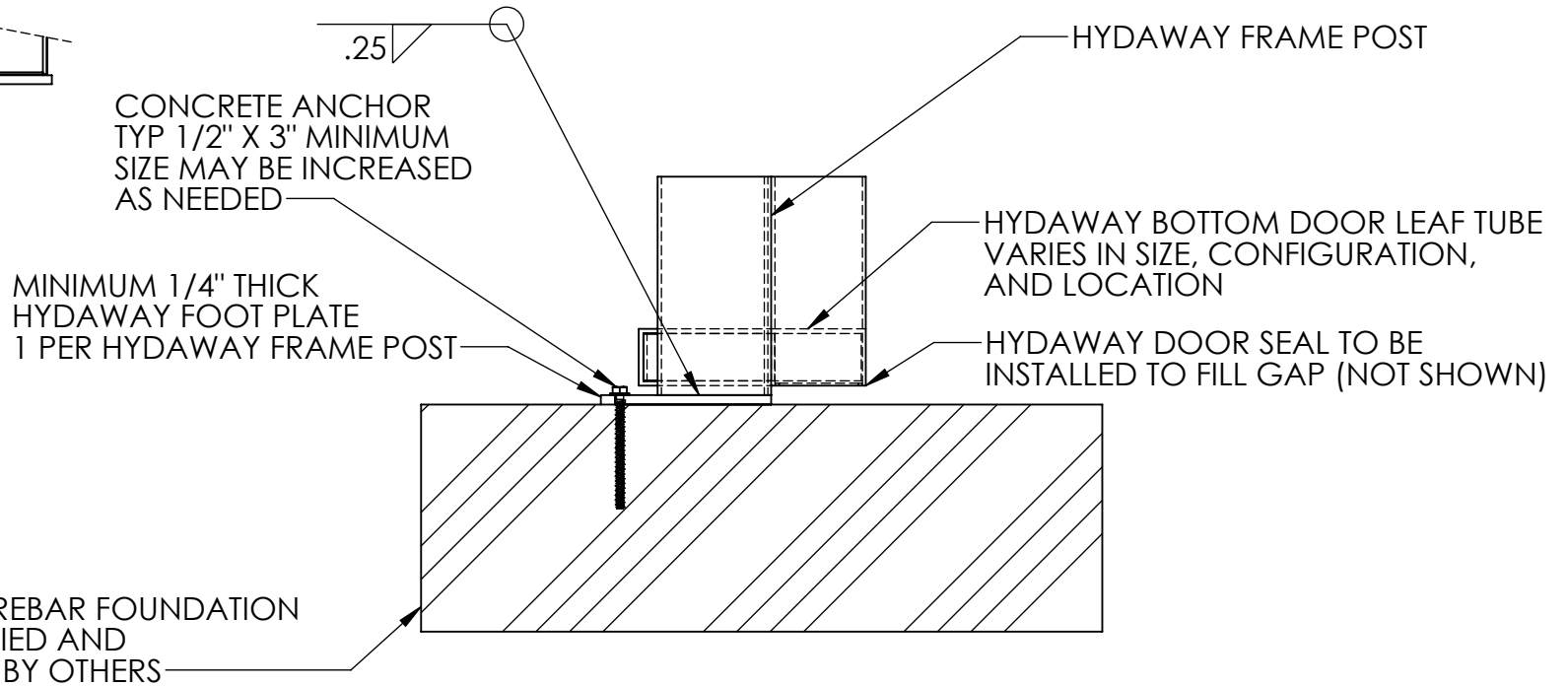
Thursday, July 21, 2022 2:48:18 PM

HYDAWAY LARGE FRAME SILL DETAIL



B

B



SECTION C-C
SCALE 1 : 10

PROPRIETARY AND CONFIDENTIAL

THE INFORMATION CONTAINED IN THIS DRAWING IS THE SOLE PROPERTY OF HYDAWAY HYDRAULIC WALLS. ANY REPRODUCTION IN PART OR AS A WHOLE WITHOUT THE WRITTEN PERMISSION OF HYDAWAY HYDRAULIC WALLS IS PROHIBITED.



		UNLESS OTHERWISE SPECIFIED:		NAME	DATE
		DIMENSIONS ARE IN INCHES TOLERANCES: FRACTIONAL ± ANGULAR: MACH ± BEND ± TWO PLACE DECIMAL ± THREE PLACE DECIMAL ±		DRAWN	
		INTERPRET GEOMETRIC TOLERANCING PER: ASME Y14. 5-2009		CHECKED	
		MATERIAL		ENG APPR.	
NEXT ASSY		USED ON		MFG APPR.	
APPLICATION		DO NOT SCALE DRAWING		Q.A.	
				COMMENTS:	

Part Number		N/A	
TITLE: Concrete Jamb and Header			
SIZE	Door Type(s)	REV	
A	Large Frame HydaWay Wall	A	
SCALE: 1:25&WEIGHT:		SHEET 3 OF 3	

A

A