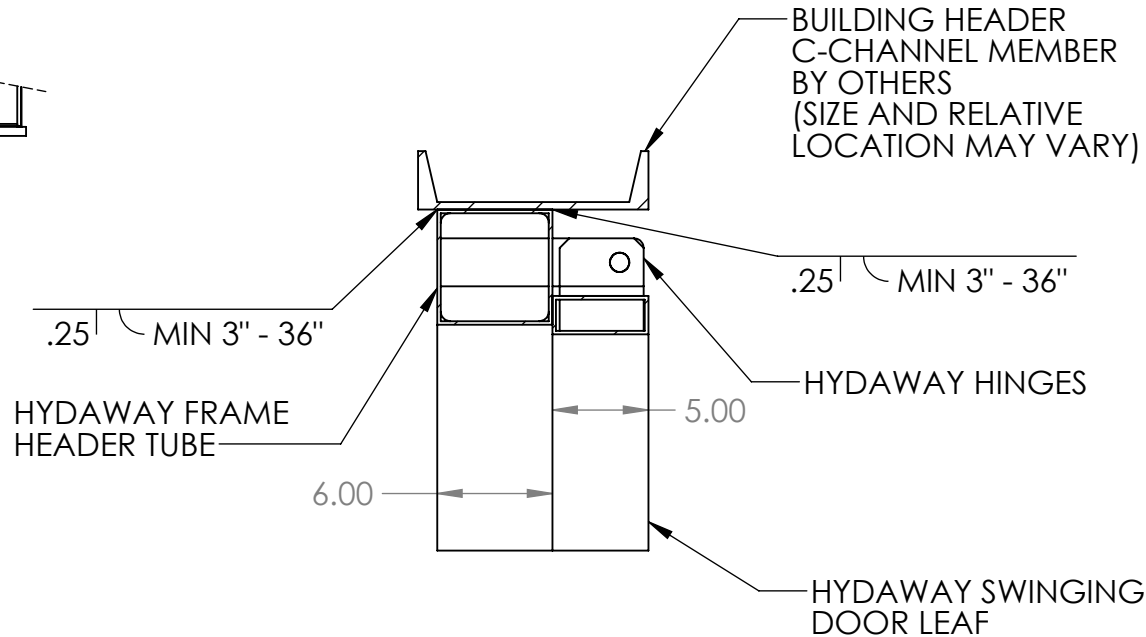
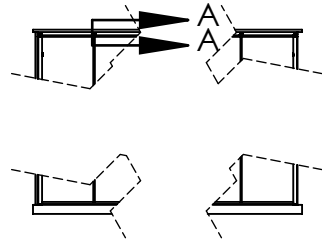


Thursday, July 21, 2022 2:52:02 PM

HYDAWAY LARGE FRAME HEAD DETAIL (C-CHANNEL BUILDING HEAD MEMBER)



SECTION A-A
SCALE 1 : 10

PROPRIETARY AND CONFIDENTIAL

THE INFORMATION CONTAINED IN THIS DRAWING IS THE SOLE PROPERTY OF HYDAWAY HYDRAULIC WALLS. ANY REPRODUCTION IN PART OR AS A WHOLE WITHOUT THE WRITTEN PERMISSION OF HYDAWAY HYDRAULIC WALLS IS PROHIBITED.



		UNLESS OTHERWISE SPECIFIED:		NAME	DATE
		DIMENSIONS ARE IN INCHES TOLERANCES: FRACTIONAL ± ANGULAR: MACH ± BEND ± TWO PLACE DECIMAL ± THREE PLACE DECIMAL ±		DRAWN	
		INTERPRET GEOMETRIC TOLERANCING PER: ASME Y14. 5-2009		CHECKED	
		MATERIAL		ENG APPR.	
NEXT ASSY	USED ON	FINISH		MFG APPR.	
APPLICATION		DO NOT SCALE DRAWING		Q.A.	
			COMMENTS:		

Part Number		N/A	
TITLE: C-Channel Jamb and Header			
SIZE	Door Type(s)	REV	
A	Large Frame HydAway Wall	A	
SCALE: 1:25 & WEIGHT:		SHEET 1 OF 3	

B

B

A

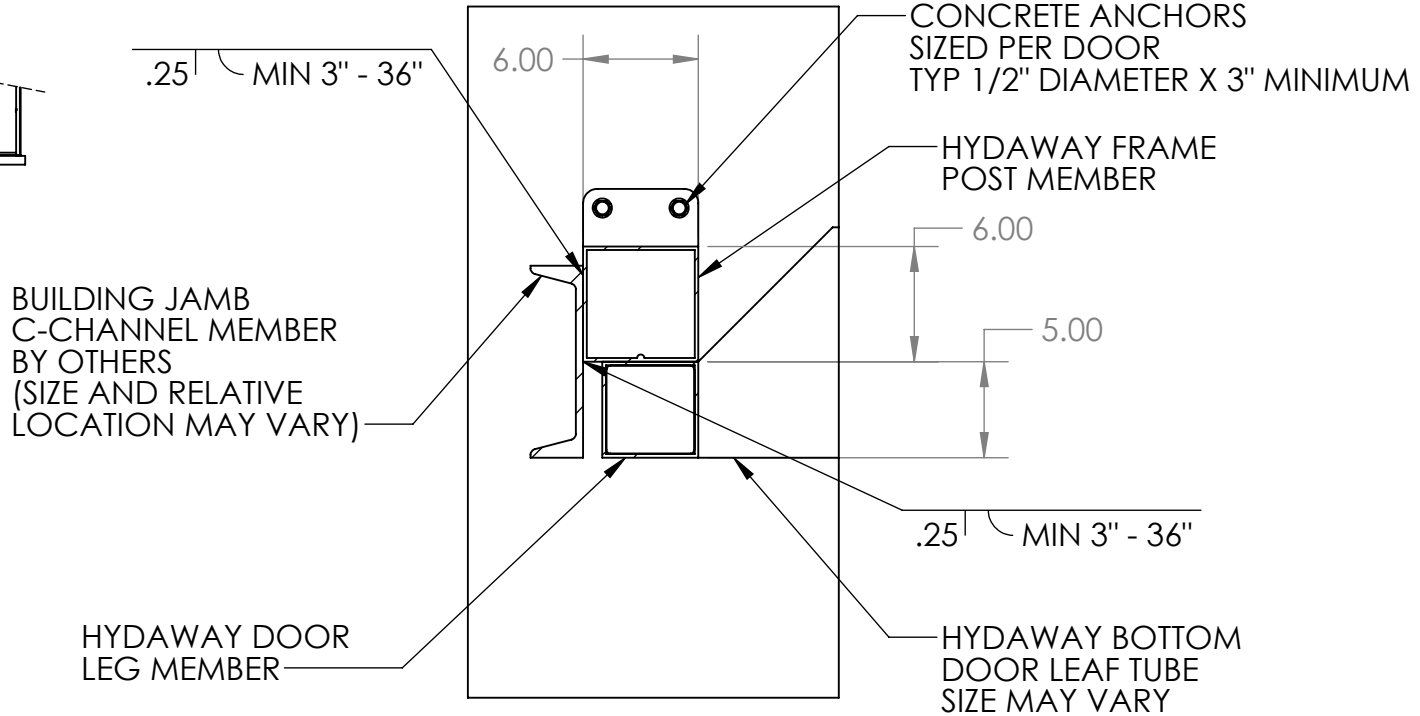
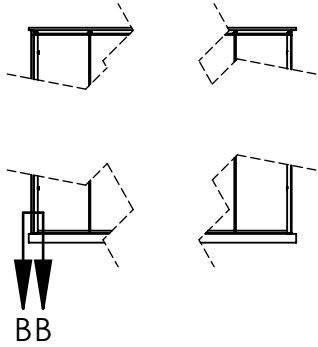
A

Thursday, July 21, 2022 2:52:02 PM

HYDAWAY LARGE FRAME JAMB DETAIL (C-CHANNEL BUILDING JAMB MEMBER)

B

B



SECTION B-B
SCALE 1 : 10

PROPRIETARY AND CONFIDENTIAL

THE INFORMATION CONTAINED IN THIS DRAWING IS THE SOLE PROPERTY OF HYDAWAY HYDRAULIC WALLS. ANY REPRODUCTION IN PART OR AS A WHOLE WITHOUT THE WRITTEN PERMISSION OF HYDAWAY HYDRAULIC WALLS IS PROHIBITED.



		UNLESS OTHERWISE SPECIFIED:		NAME	DATE
		DIMENSIONS ARE IN INCHES TOLERANCES: FRACTIONAL ± ANGULAR: MACH ± BEND ± TWO PLACE DECIMAL ± THREE PLACE DECIMAL ±	DRAWN		
		INTERPRET GEOMETRIC TOLERANCING PER: ASME Y14. 5-2009	CHECKED		
		MATERIAL	ENG APPR.		
		FINISH	MFG APPR.		
		NEXT ASSY	USED ON	Q.A.	
		APPLICATION	DO NOT SCALE DRAWING	COMMENTS:	

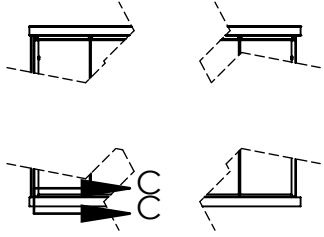
Part Number	N/A	
TITLE:	C-Channel Jamb and Header	
SIZE	Door Type(s) Large Frame HydAway Wall	REV A
SCALE: 1:25	WEIGHT:	SHEET 2 OF 3

A

A

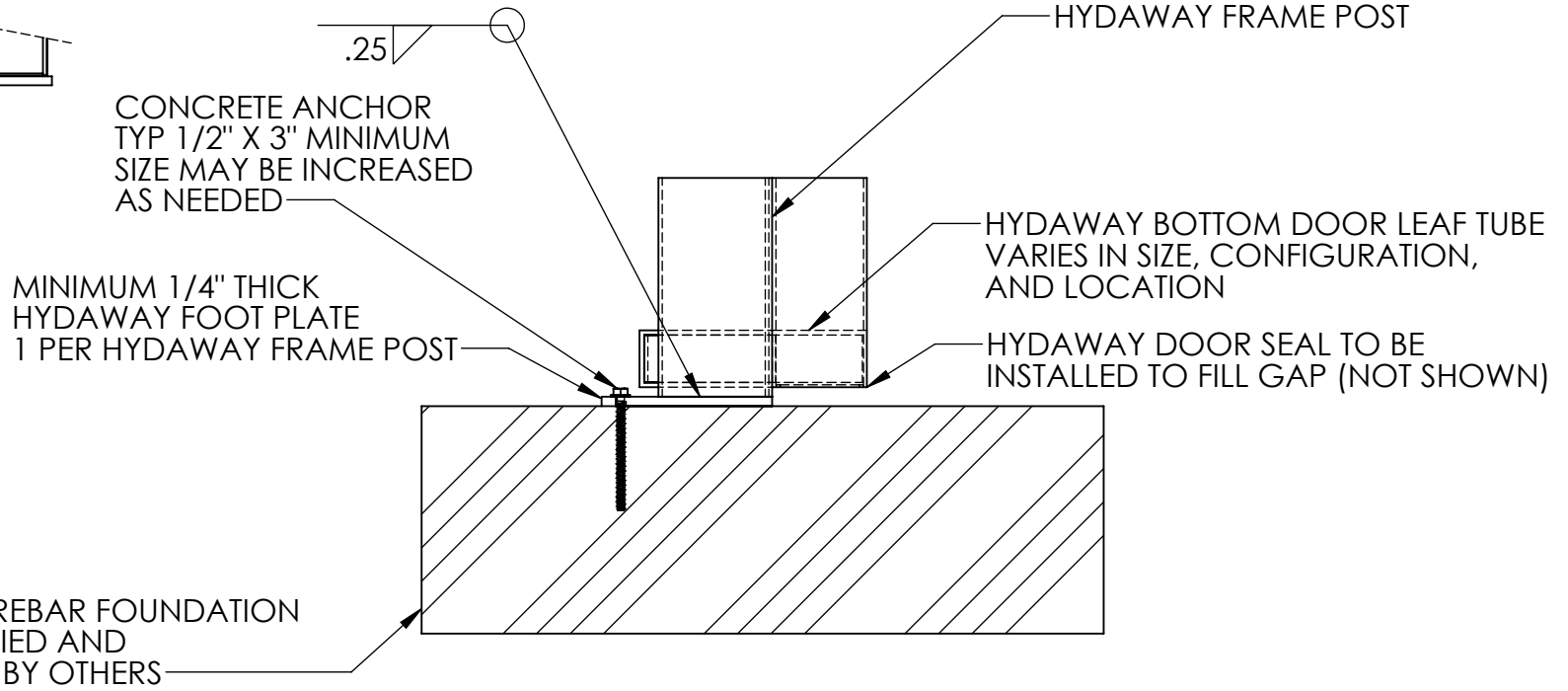
Thursday, July 21, 2022 2:52:02 PM

HYDAWAY LARGE FRAME SILL DETAIL



B

B



SECTION C-C
SCALE 1 : 10

PROPRIETARY AND CONFIDENTIAL

THE INFORMATION CONTAINED IN THIS DRAWING IS THE SOLE PROPERTY OF HYDAWAY HYDRAULIC WALLS. ANY REPRODUCTION IN PART OR AS A WHOLE WITHOUT THE WRITTEN PERMISSION OF HYDAWAY HYDRAULIC WALLS IS PROHIBITED.



		UNLESS OTHERWISE SPECIFIED:		NAME	DATE
		DIMENSIONS ARE IN INCHES	DRAWN		
		TOLERANCES:	CHECKED		
		FRACTIONAL ±	ENG APPR.		
		ANGULAR: MACH ± BEND ±	MFG APPR.		
		TWO PLACE DECIMAL ±	Q.A.		
		THREE PLACE DECIMAL ±	COMMENTS:		
		INTERPRET GEOMETRIC TOLERANCING PER: ASME Y14. 5-2009			
		MATERIAL			
		FINISH			
NEXT ASSY	USED ON				
APPLICATION		DO NOT SCALE DRAWING			

Part Number	N/A	
TITLE:	C-Channel Jamb and Header	
SIZE	Door Type(s)	REV
A	Large Frame HydAway Wall	A
SCALE: 1:25&WEIGHT:		SHEET 3 OF 3

A

A